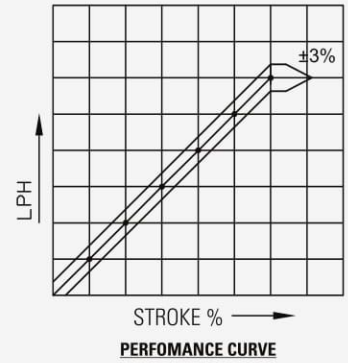




## Model: VA-01 Electronic Dosing Pump



### Material of Construction

Sr. No.	Parts	Material
01	Housing	GFPP
02	Liquid Head	PP/PTFE/SS304/SS316
03	NRV	PP/PTFE/SS304/SS316
04	NRV Ball	Ceramic/SS304/SS316
05	Diaphragm	Solid PTFE

### Flow Reading

Sr. No.	Speed SPM(%)	Pressure (Kg/Cm2)	Flow (Ltr/hr)
01	100	1	8
02	100	2	7
03	100	3	6.5
04	100	4	6

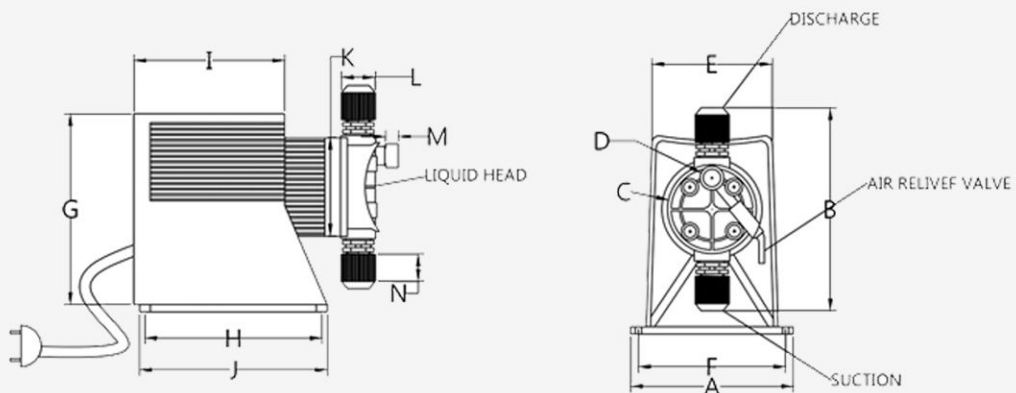
### Technical Details

Sr. No.	Model	VA-01
01	Capacity	6 LPH
02	Pressure	4 Kg/Cm2
03	Type	Solenoid Operated Electronic Dosing Pump
04	Input Power Supply	230V, 50Hz, 1 Phase
05	Input Power Consumption	40 Watt
06	Flow Adjustment	By Manual Adjustable Speed SPM 0-100
07	Negative Suction	1 mtr
08	End Connection	3/8" Hose Holder
09	Environment Temperature	45°C max.
10	Temperature Of Liquid Handled	50°C max
11	Shipping Weight	3.5 Kg

### Standard Accessories

Sr. No.	Parts	MOC	Quantity
01	Suction & Discharge Tubing	LDPE/PTFE	3 meter
02	Foot Valve Cum Strainer	PP	1
03	Antisiphoning valve	PP	1
04	Tubing Size	LDPE	4/6 mm

**Auto Dosing – Enabled to receive 4 to 20mA signal. Digital display of SPM**



A	B	C	D	E	F	G	H	I	J	K	L	M	N
134.4	167.8	Ø73.4	Ø19.7	99.4	120.6	157.8	147.9	125.0	155.2	Ø81.5	Ø27.9	10.5	22.5

